

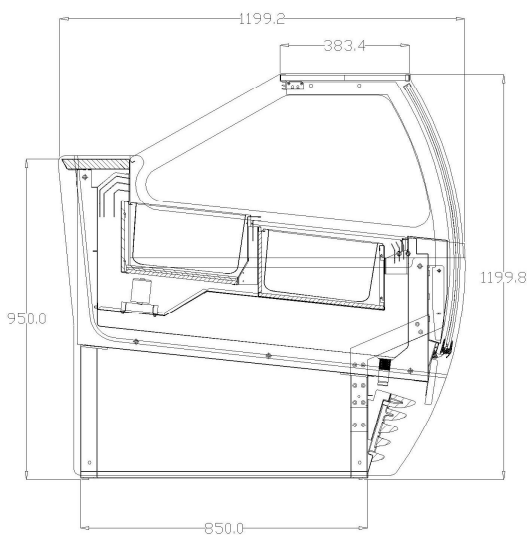
MARTINA DISPLAY CASE

DISPLAY CASE available for ice-cream, pastry, praline and hot cabinet.

Technical Features

- ❖ Available sizes: 1100 mm – 1600 mm – 2100 mm
- ❖ Refrigeration system ventilated with double consignments
- ❖ Semi – hermetic compressor groups
- ❖ Functions settled through electronic box on the operator side
- ❖ Automatic defrost in cycle inversion
- ❖ Working temperature from -16°C to -18°C
- ❖ Front – view glass tempered and straight h 1200mm
- ❖ Push and pull opening and heated glass sides.

SEZ.V.GELATI MARTINA



VISTA IN PIANTA V.G.MARTINA
1100 mm.

