

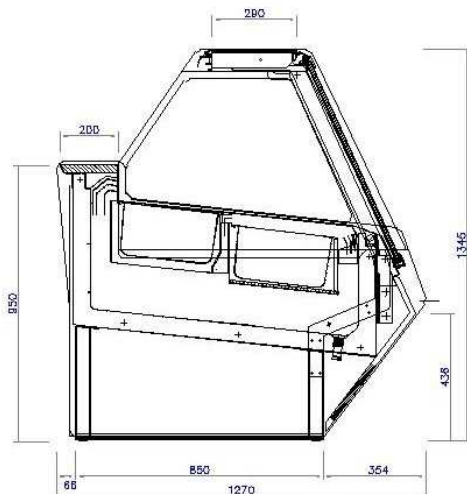
DAYTONA DISPLAY CASE

DISPLAY CASE available for ice-cream, pastry, praline and hot cabinet.

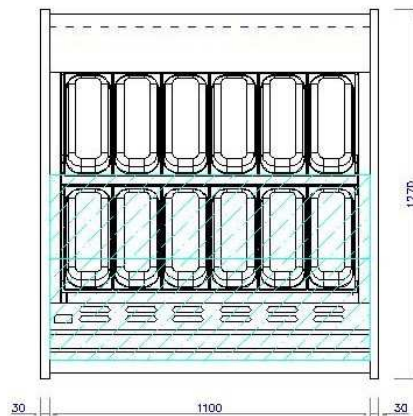
Technical Features

- ❖ Available sizes: 1100 mm – 1600 mm – 2100 mm.
- ❖ Refrigeration system ventilated with double consignments
- ❖ Semi – hermetic compressor groups
- ❖ Functions settled through electronic box on the operator side
- ❖ Automatic defrost in cycle inversion.
- ❖ Working temperature from -16°C to -18°C
- ❖ Front – view glass tempered and heated, straight high 1200 - 1350 mm
- ❖ Push and pull opening.

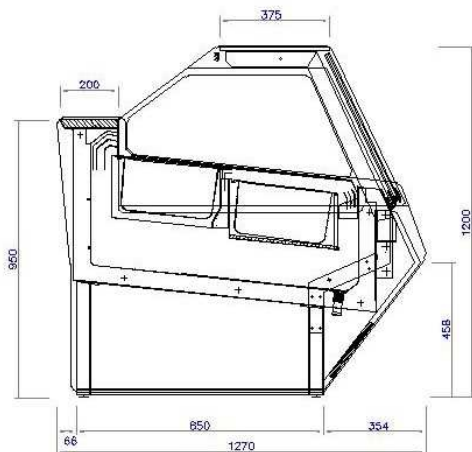
SEZIONE
V.G. DAYTONA



VISTA IN PIANTA
V.G. DAYTONA 1100



SEZIONE
V.G. DAYTONA



VISTA IN PIANTA
V.G. DAYTONA 1100

